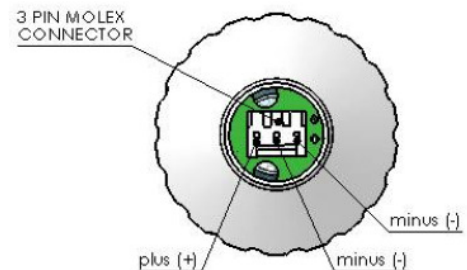
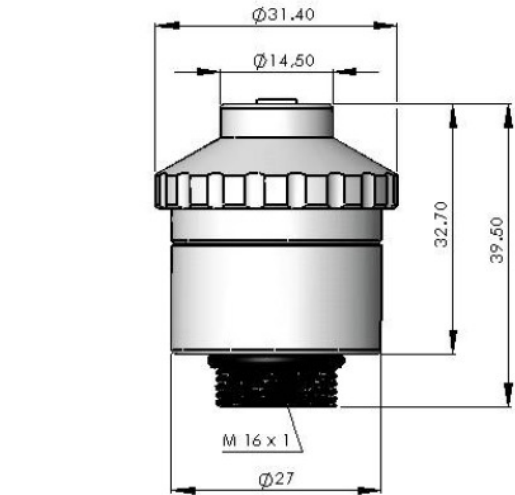


# M-04 Oxygen Gas sensor Cell

**Key Features:** Long life cell that shows high signal stability at low cross interferences to anesthesia gases combined with a superior linearity over the entire range

All characteristics are based on conditions at 25°C, 50% RH and 1013 hPa

|                            |  |
|----------------------------|--|
| Electrical Connector:      | 3-pin Molex gold plated                      |
| Measurement Range:         | 0 to 100 Vol. %                              |
| Nominal Sensor Life:       | > 1, 000, 000 Vol. % h                       |
| Expected Operating Life:   | < 6 years @ ambient air                      |
| Output Signal:             | 13 to 16.5 mV @ dry ambient air              |
| Response Time t90 :        | < 12 s                                       |
| Drift:                     | < 1% volume O2 / month @ air                 |
| Operating Temperature:     | 0 to 40°C                                    |
| Pressure Range:            | 750 to 1250 hPa                              |
| Linearity Error:           | ≤ 2% @ 100% O2 applied for 5 min             |
| Zero Offset Voltage:       | ≤ 200 μV in 100% N2, applied for 5 min       |
| Repeatability:             | ± 1 % volume O2 @ 100% O2, applied for 5 min |
| Influence of Humidity:     | -0.03% rel. O2 reading per % RH              |
| Recommended Load Resistor: | ≥ 10 kOhm                                    |
| Temperature Compensation   | NTC  |
| Interferences              | according<br>DIN EN 12598 and<br>ISO 7767    |



Tolerance: ± 0.15 mm

## Storage Conditions

|                                 |   |
|---------------------------------|---|
| Temperature Range:              | recommended: 5 to 30°C<br>maximum: - 20 to 50°C |
| Humidity:                       | up to 100% RH                                   |
| Shelf Life:                     | < 6 months                                      |
| Weight:                         | approximately 24 g                              |
| Material in Contact with Media: | PA, PPS, PTFE, stainless steel                  |
| Warranty Period:                | 16 months                                       |
| Housing Colour:                 | white   |

This data sheet is subject to change without prior notice !  
[M-04 Rev. 01-06.doc] page 1 / 1